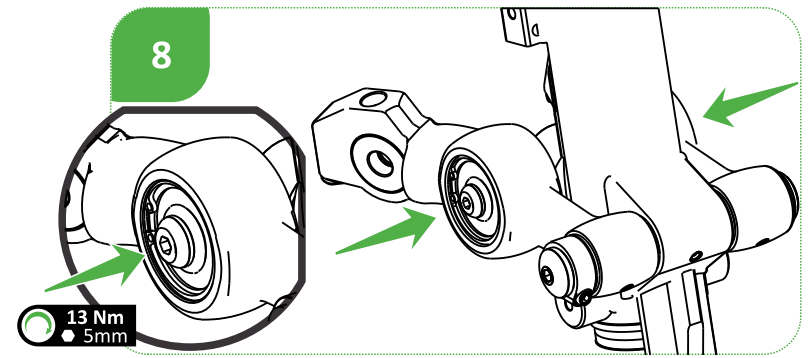
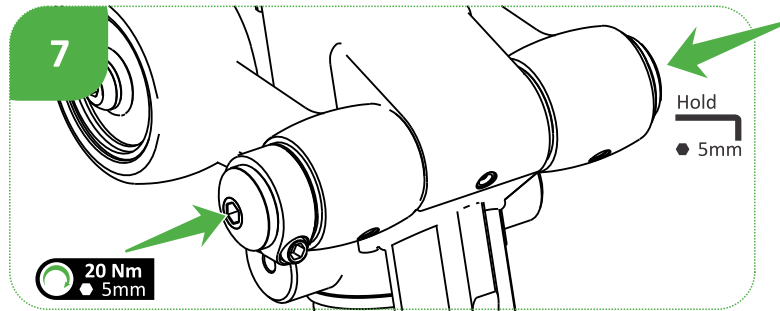
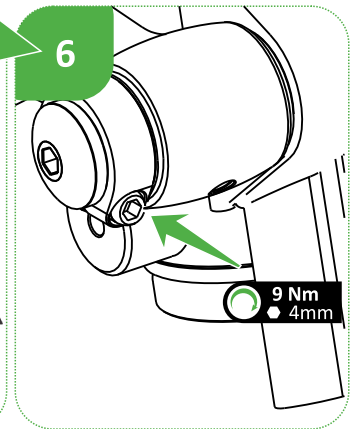
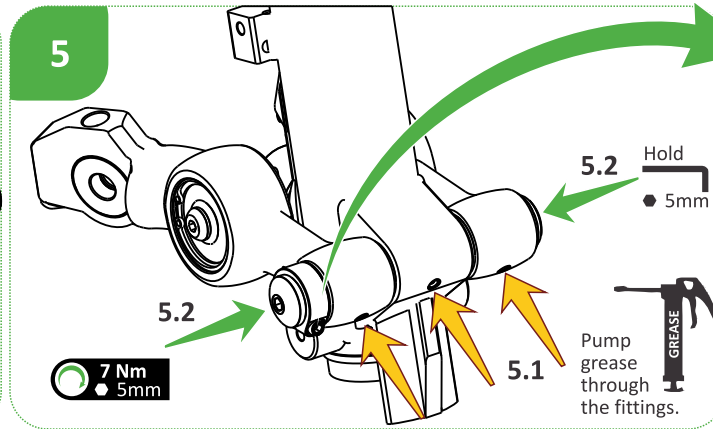
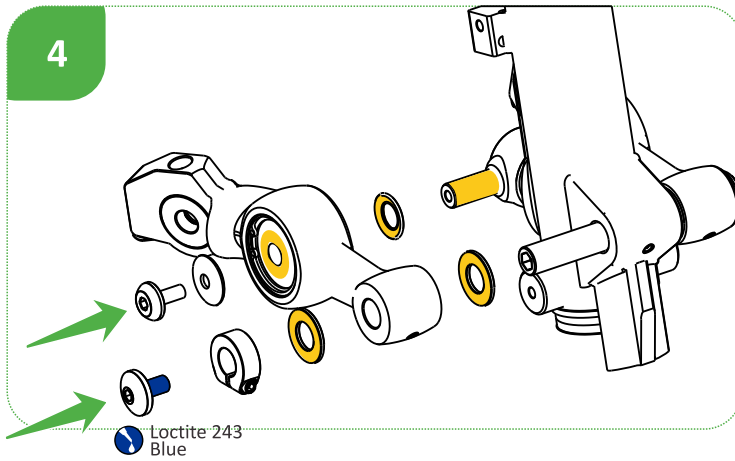
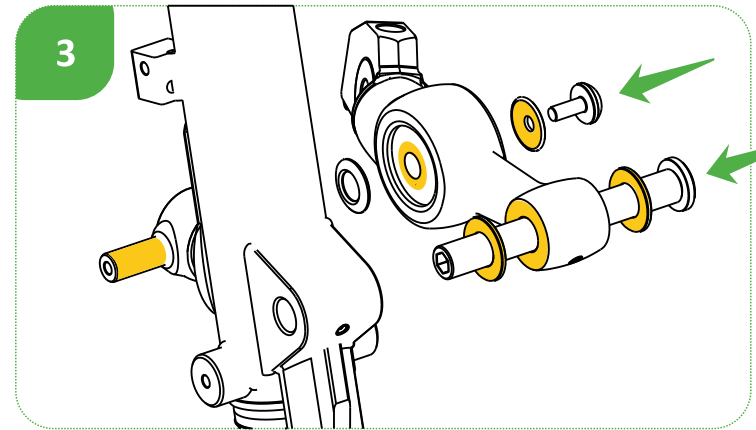
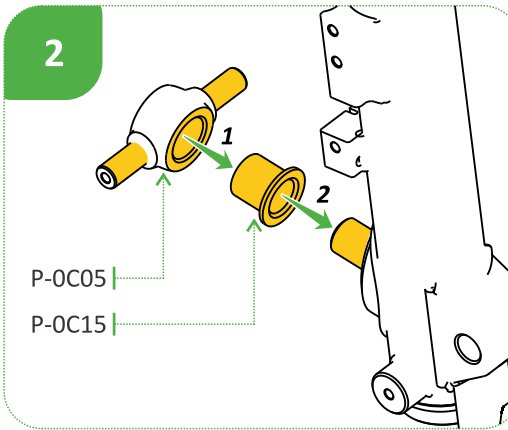
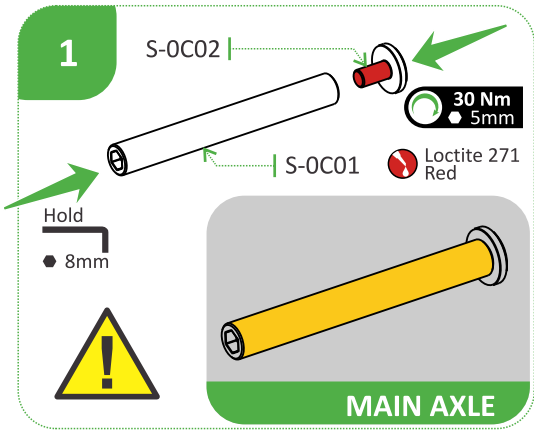


T8H/T12 MAIN AXLE & CAMBERING SYSTEM TORQUES & LUBRICATION



Lubricate with multipurpose bearing grease/LITHEP - EP2